

Precast Concrete Stairs

Flood Precast offers a range of stair flights to suit every requirement. All our stair and landing units are designed in house, manufactured, delivered and installed to the highest standards.



Precast Stairs can be placed along with Precast Concrete Flooring giving immediate safe access to upper floors quickly and efficiently. All Precast Stair and landing units are designed in accordance with relevant BS and Euro codes.

Concrete stairs provide a safe means of escape in event of fire and can be installed instantly, they are used in every development type where there is a requirement for access and egress.

Benefits Of Flood Precast Concrete Stairs

- Quick to install.
- High fire resistance.
- High quality finish. Class B finish available upon request.
- Minimal site labour.
- Savings in construction time.
- Can accommodate progressive collapse requirements.
- Installation is not affected by adverse weather conditions.
- Using Flood Precast Concrete standard steel moulds can produce cost effective precast stairs.
- Fixings for hand rails can be accommodated.
- Anti-slip strips can be accommodated.

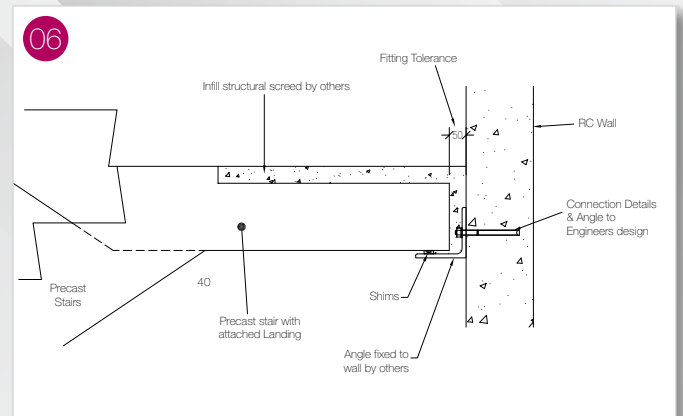
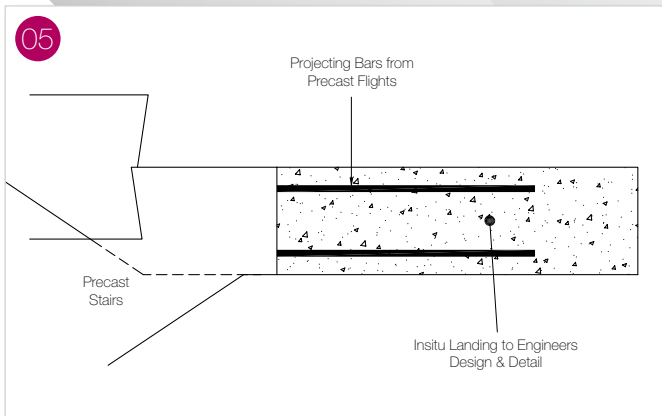
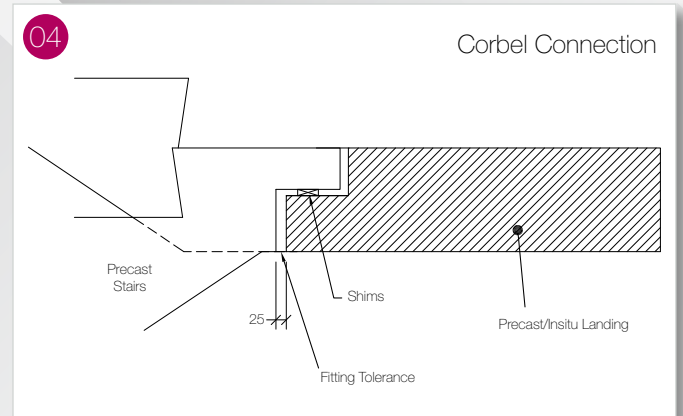
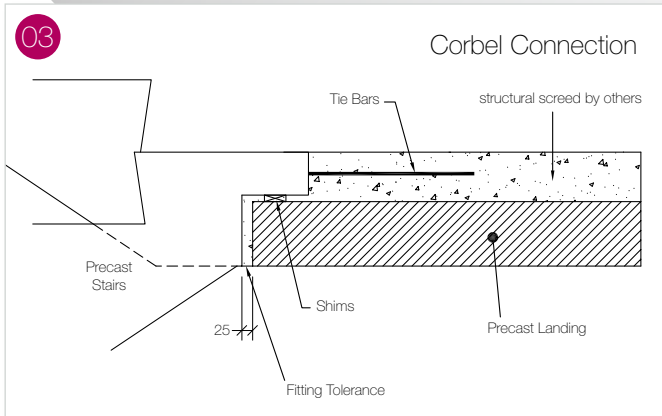
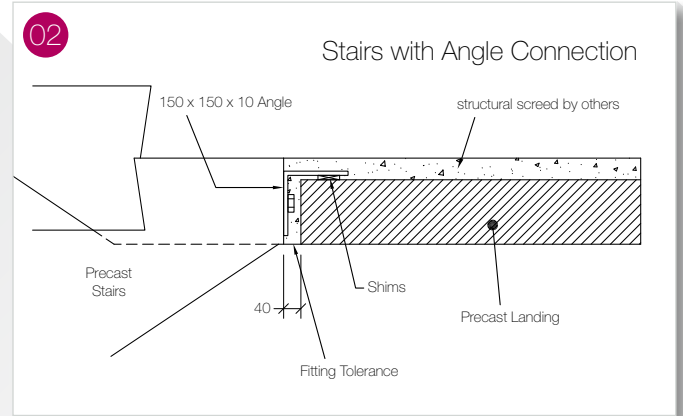
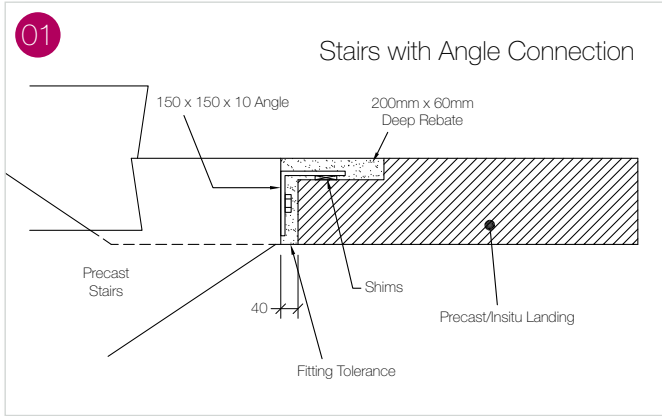
floodprecast.ie

Hilltown, Oldcastle, Co. Meath, Republic of Ireland.
T: +353 (0)49 8541477 F: +353 (0)49 8541311
W: www.floodprecast.ie E: info@floodprecast.ie

floodprecast.co.uk

43 Temple Row, Birmingham B2 5LS, United Kingdom.
T: +44 (0)845 6801417 F: +44 (0)845 6801419
W: www.floodprecast.co.uk E: info@floodprecast.co.uk





Precast Concrete Stairs

- 01. Precast stair on precast landing.
- 02. Precast stair on precast landing.
- 03. Precast stair on precast landing.
- 04. Precast stair on insitu landing.
- 05. Precast stair with projecting bars.
- 06. Precast stair with precast landing.